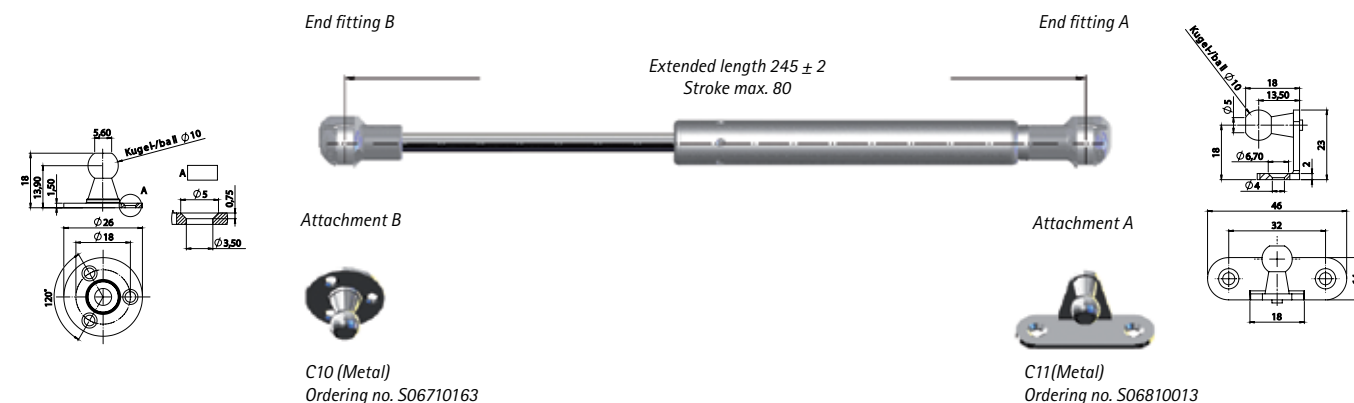


Furniture gas spring for glass fronts (4 mm glass thickness) with metal / aluminium frame



Choose your desired gas spring (standard, soft-stop or positioning) depending on the height, breadth and weight of your flap by using the following selection tables:

All information in mm, 25.4 mm = 1 in., standard color of gas spring is white aluminium, piston rod is chromed, subject to changes.

1. Standard gas spring or Soft-Stop gas spring

Flap-height [mm]	Flap-breadth 450 mm (17.7 in)					Flap-breadth 600 mm (23.6 in)				
	Flap-weight [kg]	Number of gas springs	Force [N]	Ordering number		Flap-weight [kg]	Number of gas springs	Force [N]	Ordering number	
				Standard	Soft-Stop				Standard	Soft-Stop
300-350	1.6 - 1.8	1	80	S01625517	S01625525	2.1 - 2.5	1	80	S01625517	S01625525
351-400	1.8 - 2.1	1	80	S01625517	S01625525	2.5 - 2.8	2	50	S01625516	S01625524
401-450	2.1 - 2.4	2	50	S01625516	S01625524	2.8 - 3.2	2	80	S01625517	S01625525
451-500	2.4 - 2.6	2	80	S01625517	S01625525	3.2 - 3.5	2	80	S01625517	S01625525
501-550	2.6 - 2.9	2	80	S01625517	S01625525	3.5 - 3.9	2	100	S01625518	S01625526
551-600	2.9 - 3.2	2	100	S01625518	S01625526	3.9 - 4.2	2	120	S01625519	S01625527

Flap-height [mm]	Flap-breadth 900 mm (35.4 in)					Flap-breadth 1,200 mm (47.2 in)				
	Flap-weight [kg]	Number of gas springs	Force [N]	Ordering number		Flap-weight [kg]	Number of gas springs	Force [N]	Ordering number	
				Standard	Soft-Stop				Standard	Soft-Stop
300-350	3.2 - 3.7	2	80	S01625517	S01625525	4.2 - 4.9	2	80	S01625517	S01625525
351-400	3.7 - 4.2	2	80	S01625517	S01625525	4.9 - 5.6	2	100	S01625518	S01625526
401-450	4.2 - 4.7	2	100	S01625518	S01625526	5.7 - 6.4	2	120	S01625519	S01625527
451-500	4.7 - 5.3	2	120	S01625519	S01625527	-	-	-	-	-

2. Positioning gas spring

Flap-height [mm]	Flap-breadth 450 mm (17.7 in)				Flap-breadth 600 mm (23.6 in)				Flap-breadth 900 mm (35.4 in)				Flap-breadth 1,200 mm (47.2 in)			
	Flap-weight [kg]	Number of gas springs	Force [N]	Ordering number	Flap-weight [kg]	Number of gas springs	Force [N]	Ordering number	Flap-weight [kg]	Number of gas springs	Force [N]	Ordering number	Flap-weight [kg]	Number of gas springs	Force [N]	Ordering number
300-350	1.6 - 1.8	1	45	S01625531	2.1 - 2.5	1	60	S01625532	3.2 - 3.7	1	90	S01625533	4.2 - 4.9	2	60	S01625532
351-400	1.8 - 2.1	1	45	S01625531	2.5 - 2.8	1	60	S01625532	3.7 - 4.2	2	45	S01625531	4.9 - 5.6	2	60	S01625532
401-450	2.1 - 2.4	1	60	S01625532	2.8 - 3.2	2	45	S01625531	4.2 - 4.7	2	60	S01625532	5.6 - 6.3	2	90	S01625533
451-500	2.4 - 2.6	2	45	S01625531	3.2 - 3.5	2	60	S01625532	4.7 - 5.3	2	60	S01625532	-	-	-	-
501-550	2.6 - 2.9	2	60	S01625532	3.5 - 3.9	2	60	S01625532	5.3 - 5.8	2	90	S01625533	-	-	-	-

The stated values in the selection tables are recommendations for glass fronts (4 mm glass thickness) with metal / aluminium frame. 25.4 mm = 1 in. 0.453kg = 1 lb.