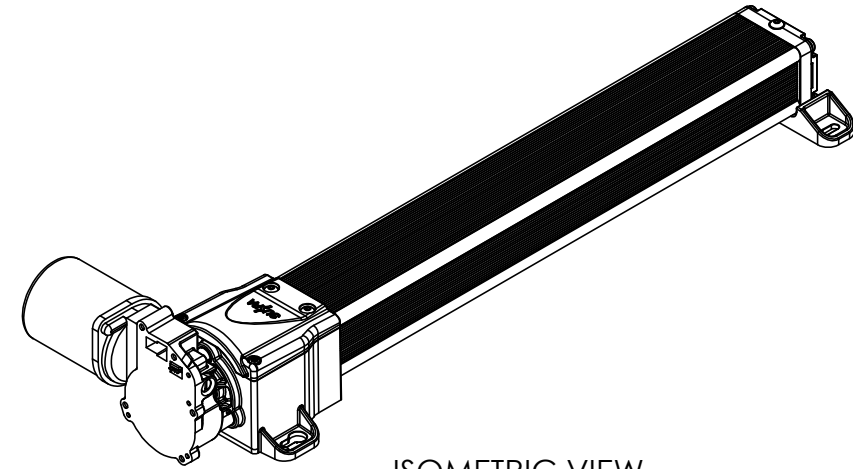
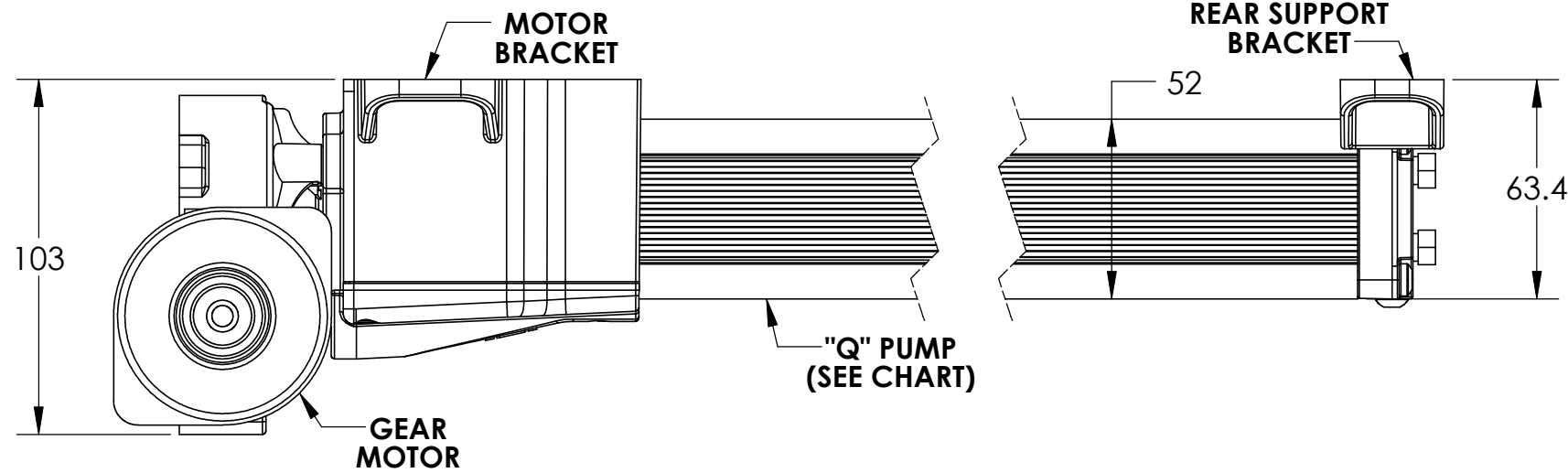
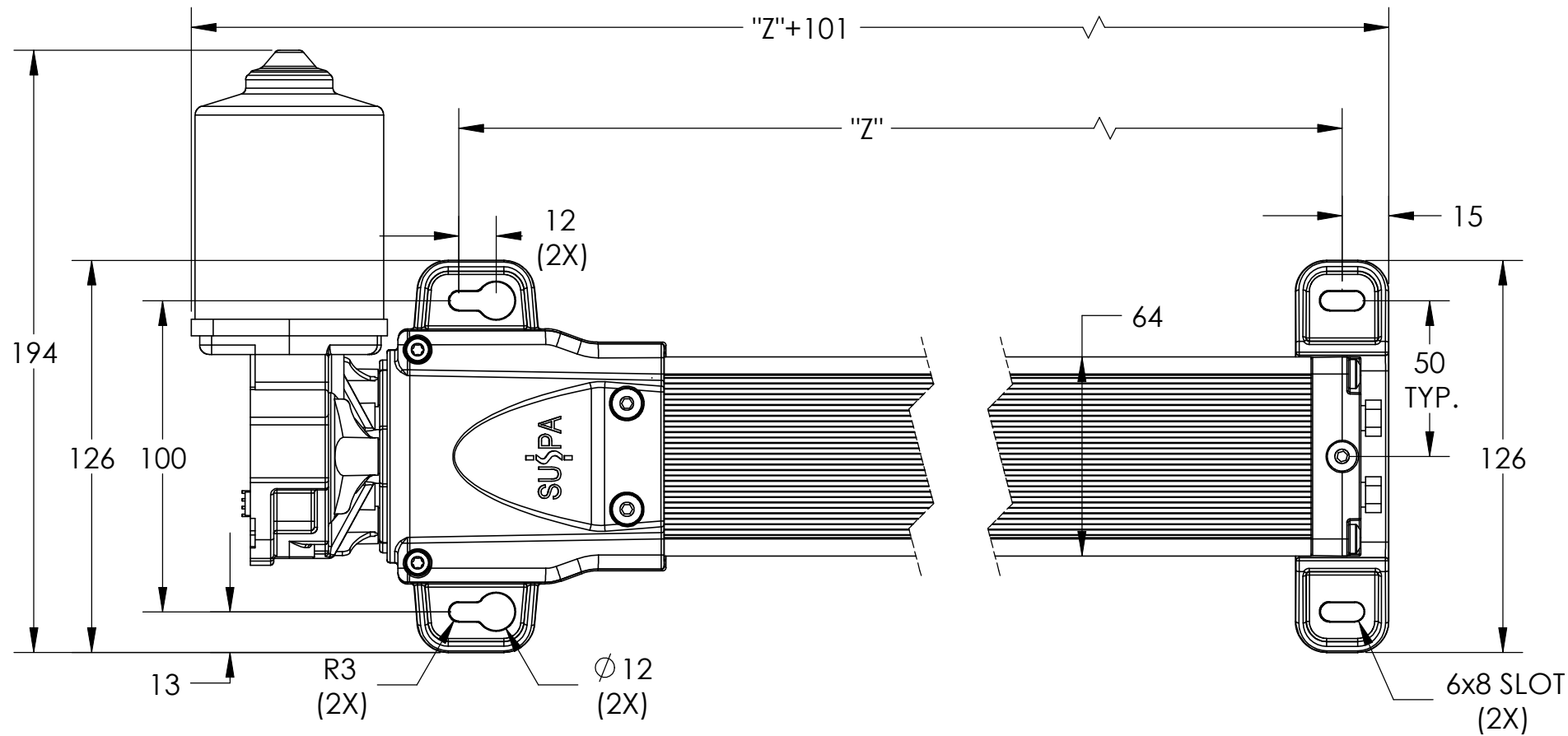


THE INFORMATION CONTAINED IN THIS DRAWING IS THE SOLE PROPERTY OF SUSPA INCORPORATED. ANY REPRODUCTION IN PART OR AS A WHOLE WITHOUT THE WRITTEN PERMISSION OF SUSPA INCORPORATED IS PROHIBITED.



ISOMETRIC VIEW
SCALE 1:5



PUMP DESCRIPTION	"Z" DIMENSION
Qx809	330
Qx812	390
Qx818	510
Qx824	632
Qx612	390
Qx615	450
Qx623	632
Qx631	760

NOTES:

- 1.) ALL DIMENSIONS ARE REFERENCE ONLY.
- 2.) GEAR MOTOR SHOWN IS A UL RECOGNIZED COMPONENT. (UL FILE NUMBER: E247336).
- 3.) MOTOR CABLE AND CONTROL BOX NOT SHOWN.
- 4.) ALL MATERIALS ARE USED IN THIS PRODUCT ARE ROHS COMPLIANT.

DO NOT MANUFACTURE TO THIS DRAWING UNLESS IT IS MARKED "CONTROLLED"
 DO NOT SCALE THIS DRAWING
 DIMENSIONS ARE IN MILLIMETERS
 TOLERANCES UNLESS OTHERWISE SPECIFIED
 ONE PLACE DECIMAL +/-0.2 ANGULAR
 TWO PLACE DECIMAL +/-0.1 +/-2°
 DRAWN BY: AJB DATE: 06/02/11 SCALE: 1:2
 CUSTOMER DRAWING

REV	ECN	DESCRIPTION	CHANGED BY	APPROVED BY	DATE (MMDD/YY)
		RELEASED		AJB	06/13/11
Q PUMPS WITH E-DRIVE MOTOR					
MATERIAL: N/A					
DRAWING NUMBER: S45-0031					
3970 Roger B. Chaffee S.E. Grand Rapids, Michigan 49548-3497 www.suspa.com					DRAWING SIZE: B